

# **BNETA**

## **Smart AI Bird Feeder**

BF002



---

**USER MANUAL**

**BNETA International**  
sales@bneta.co.za  
www.bneta.co.za



## CONTENT

Notes	1
What's in the Box	2
Introduction to the Bird Feeder	3
Bird Feeder Specifications	4
Camera Introduction	5
Camera Specifications	6
Indicator Status	7
How to Connect to the App	8-11
App Interface Introduction	12
How to Install	13-19
FAQs	20-22

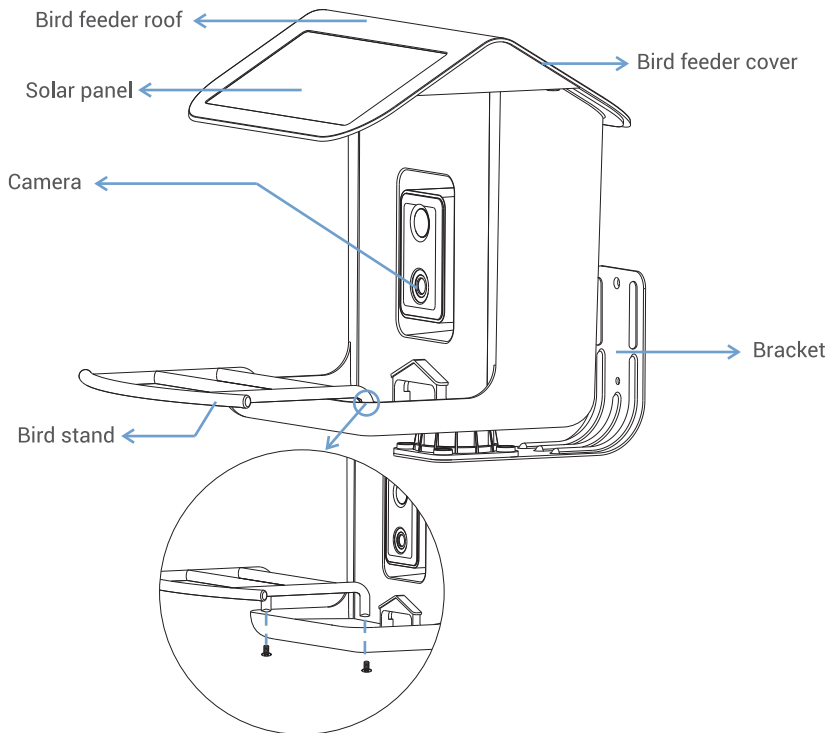
## NOTES

- Keep the bird feeder and all accessories out of reach of children and pets.
- Make sure the camera has been fully charged (DC 5V/2A).
- Operating temperature: -5°F to 120°F (-20.5°C to 48.5°C). Operating relative humidity: 10% to 95%.
- Please do not expose the camera lens to sunlight directly.
- The camera boasts an IP65 waterproof rating, enabling it to function effectively in rainy or snowy conditions. However, it is not suitable for immersion in water.
- The bird feeder is compatible only with 2.4GHz WiFi networks.
- Strong light may disrupt QR code scanning during pairing.
- Avoid positioning the device behind furniture or near microwave appliances.
- Keep the bird feeder within the range of your WiFi signal for optimal performance.





## BIRD FEEDER INTRODUCTION



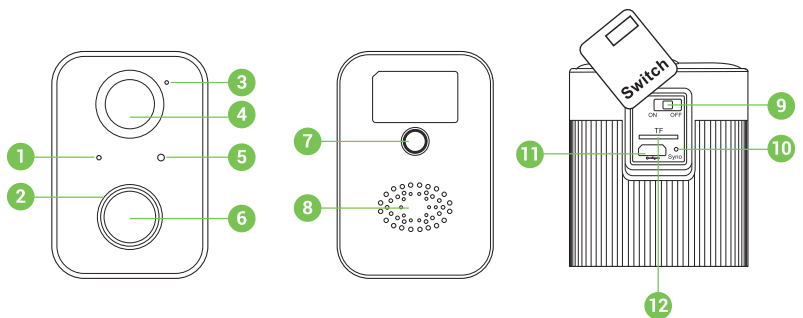
## BIRD FEEDER SPECIFICATIONS

Product Model	BF002
Detection	Dual-Action Motion and Accelerometer
Charging Solar Energy	USB Cable Included
Power	5200 mAh Rechargeable Lithium-Ion Battery
Camera	2.0 Mega Pixel 1080P HD Live Stream Video
Two-way Talk	Yes
Operating Temperature	-5°F to 120°F (-20.5°C to 48.5°C)
Weather Resistant	Yes
Wireless Type	WiFi 2.4GHz
Field of View	Diagonal: 130°, Horizontal: 94°, Vertical: 40°
Dimension	L9.45 x W8.66 x H11.02 inches (24 x 22 x 28 cm)

### **SOLAR PANEL SPECIFICATION**

IPCE	19%
Working Voltage (Vmp)	6V±5%
Working Current (Imp)	400mA±5%
Open Circuit Voltage (VOC)	7.2V±5%
Short-Circuit Current (ISC)	480mA±5%

## CAMERA INTRODUCTION

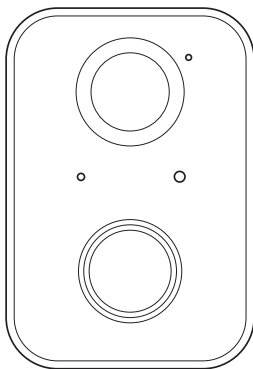


- 1 Status LED
- 2 Infrared LED
- 3 Microphone
- 4 Motion sensor
- 5 Light sensor
- 6 Lens
- 7 Mounting hole
- 8 Speaker
- 9 Power ON/OFF
- 10 Synch / Reset
- 11 Charging port
- 12 TF card slot (Capacity expansion 128GB)

## CAMERA SPECIFICATIONS

Power Supply	DC 5V2A
Power Consumption	2W( Max.)
Standby Current	<500uA
Battery Life	4-6 years
Battery Capacity	5200mAh
Pixel	2 Mega Pixel 1080P
Viewing Angle	Diagonal: 130°, Horizontal:94°, Vertical: 40°
Night Visual Range	8m (Max)
Wireless Connection	2.4 GHz WiFi IEEE 802.11 b/g/n
Anti-flicker	50HZ /60HZ
Operating Temperature	-20.5°C to 48.5°C
Operating Humidity	10% to 95% non-condensing

## INDICATOR STATUS



- Red light always ON : Camera turn on.
- Fast blinking red light : Pairing mode.
- Fast blinking green light : Network connecting.
- Green light always ON : Network has been connected.
- Slow blinking red light : Abnormal status. Reset required.
- Yellow light always ON : Firmware is being updated.
- White light always ON : Charging status. Light will switch OFF after being fully charged.

## HOW TO CONNECT TO THE APP



GET IT ON  
**Google play**

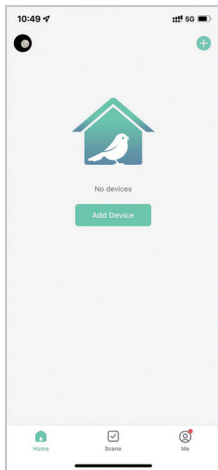


Download on the  
**App Store**

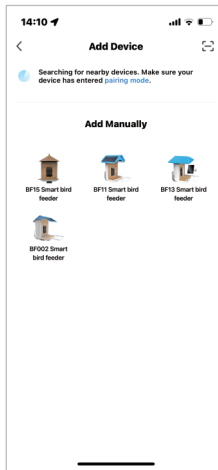
Download or scan the QR code and install the Bird Lover App for either IOS or Android. Once downloaded, the APP will prompt you to register your device. Enter your phone number or email address which one makes you feel comfortable and select the country you live in. You will receive the registration code. Input the registration code, then create a password.

## WIFI MODE CONFIGURATION (COMMON)

- Entering the “Add Device” interface, click the “Add Device” or “+” on top right corner to add new device. See image 1.
- Select any “Smart Bird Feeder” icon to add the device. Turn on the device and make sure the red light is blinking quickly. Follow the instruction steps in the App to add the device. See image 2.



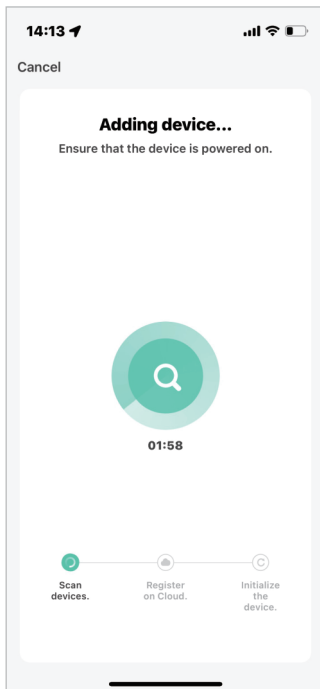
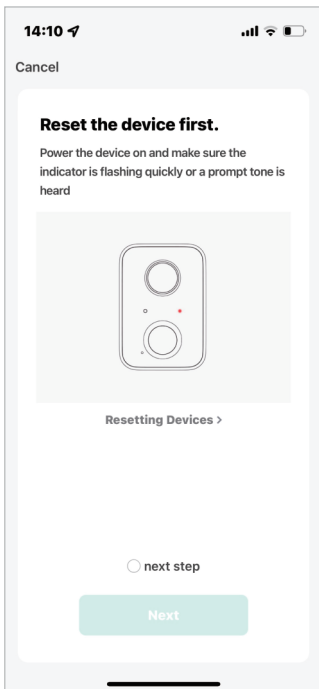
1

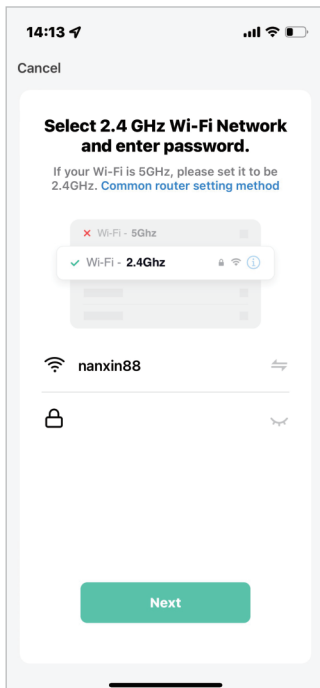
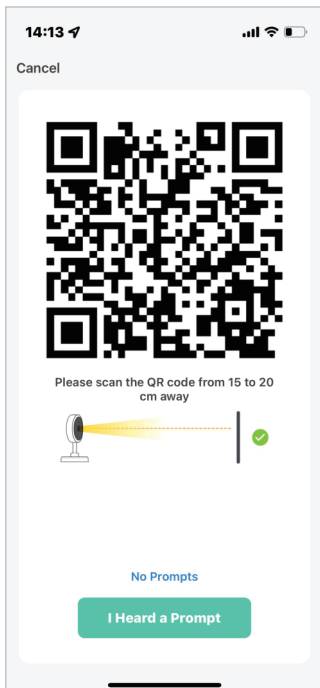


2

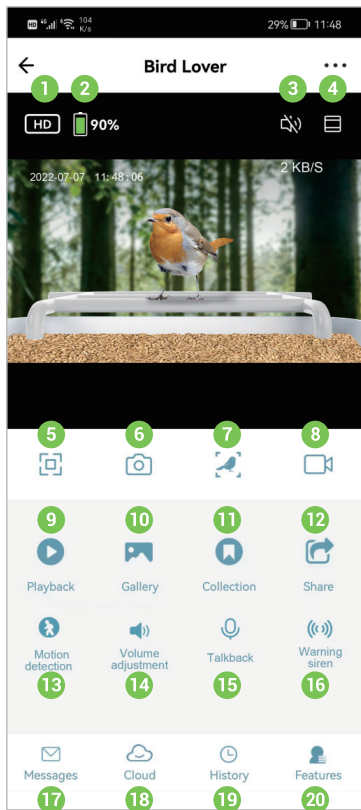


Or refer to the following steps:





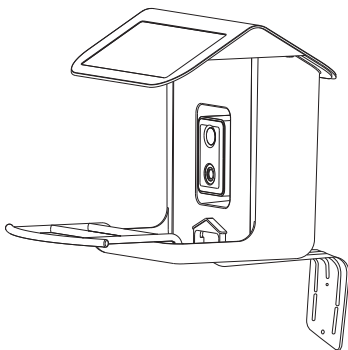
# APP INTERFACE INTRODUCTION



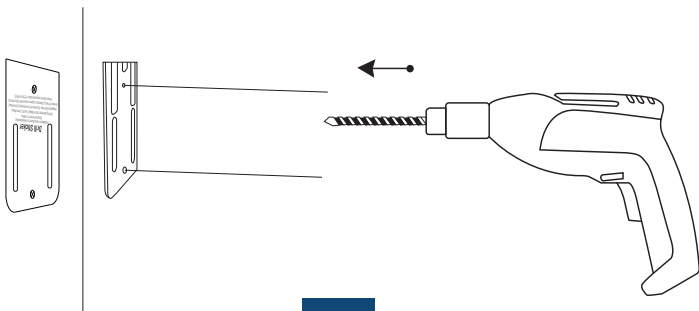
- 1 Quality adjustment: Choose HD or SD
- 2 Battery remaining capacity
- 3 Voice switch
- 4 Zoom in the screen for camera
- 5 Screen horizontal and vertical adjustment
- 6 Take photo
- 7 Bird recognition
- 8 Shoot videos
- 9 Playback from previous
- 10 View photos or videos took
- 11 View the bird collection
- 12 Share the device
- 13 Motion detection (Click to turn on/off)
- 14 Device volume
- 15 One-way talk
- 16 Siren
- 17 Motion detection notification
- 18 Cloud storage service
- 19 History for bird recognition
- 20 Personal setting

## HOW TO INSTALL

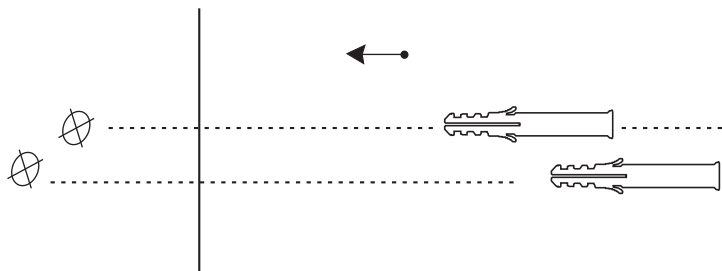
The first installation method.



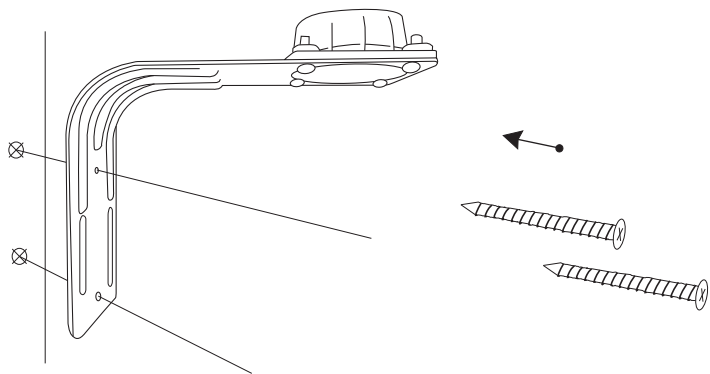
- 1 Use the provided drill sticker to mark the position of holes on the wall. Use a drillbit bit to drill 4 holes.



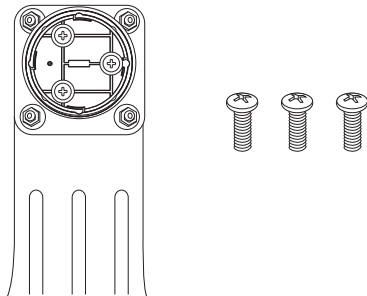
- 2 Insert the 4 anchors so that they are flush with the wall / surface.



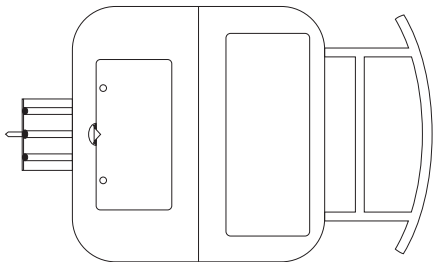
- 3 Insert and tighten the screws to fix the bracket in place.



- 4 Place the bracket connector into the bottom of the bracket as shown in the image below. Use 3 x long screws to tighten the bracket and secure the the bird feeder.

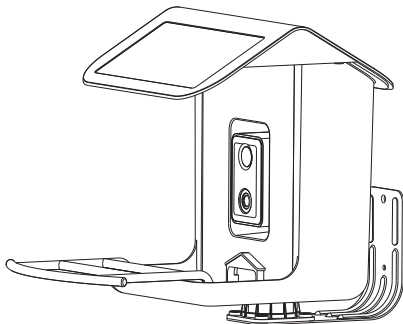


- 5 After opening the lid and adding the bird food (see below), fasten the 2 x short screws to prevent it from being opened by squirrels.

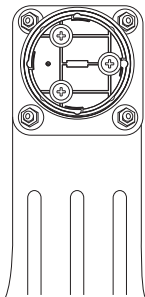


## HOW TO INSTALL

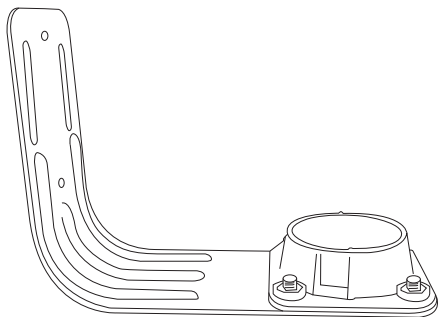
The second installation method.



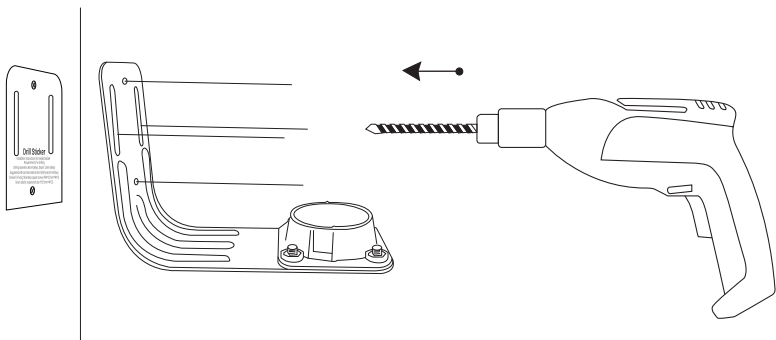
- 1 Unscrew 4 x screws from the Bird feeder wall mount and put them aside.



- 2 Place the plastic accessories on the back and re-tighten the 4 screws.

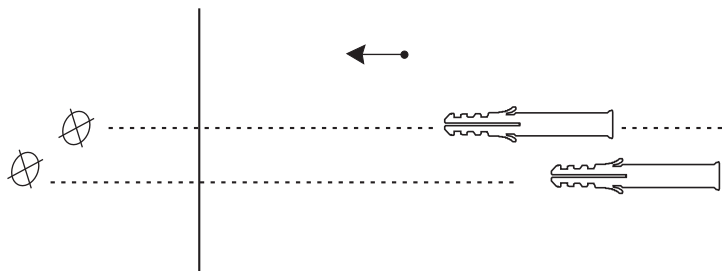


- 3 Using the provided drill sticker, mark the position of holes in the wall and use a drillbit to drill 4 holes.

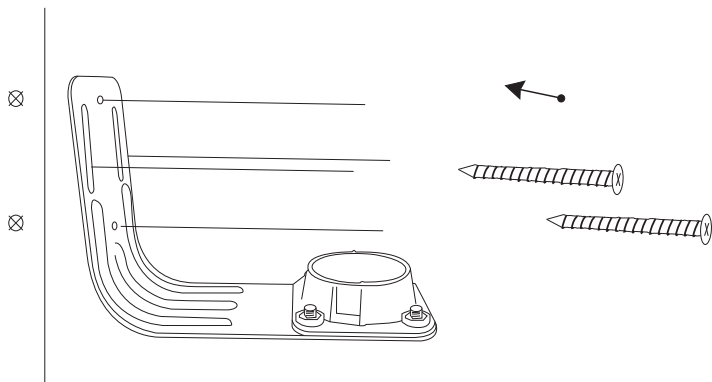




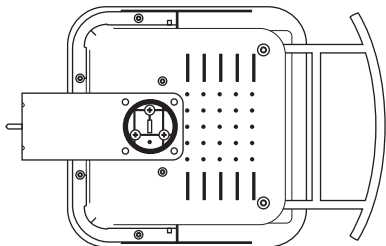
- 4 Insert the 4 anchors so that they are flush with the wall / surface.



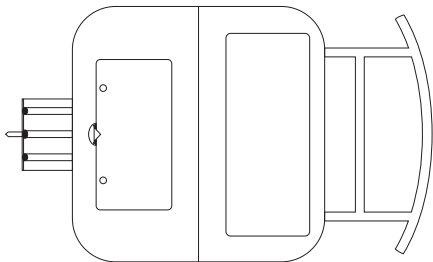
- 5 Insert and tighten the screws to fix the bracket in place.



- 6 As shown in the picture, Place the bracket connector into the bottom of the bracket (see image below). Use 3 x long screws to fix the bird feeder in place.



- 7 After opening the lid and adding the bird food (see below), fasten the 2 x short screws to prevent it from being opened by squirrels.



**Q: Do I need to create an account to use the App?**

A: Yes, you need to use your email address to get a verification code for registering an account. Your Apple ID can be logged in directly.

**Q: How to install the App?**

A: Follow below steps to install the App on your device.

Option 1: Scan the QR code which showed on the box or in the product manual to download the App.

Option 2:

- For Android devices, please search and download "Bird Lover" by Google Play.
- For IOS devices, please search and download "Bird Lover feeder" by App Store.

**Q: What operating systems are the App compatible with?**

A: The App is compatible with Apple iOS and Android system.

- Apple iOS V10.0 or later.
- Android V5.0 or later.

**Q: How to connect the camera with the App?**

A: Follow below steps to connect the camera with the App.

- Turn on the switch on the top of the camera.
- Make sure the Red light is flashing rapidly and confirm the AI Camera is ready to connect. If not connected, please use the pin included the package to keep pressing the Sync hole about 5-10s until the red light flashes and camera resets. You can find the reset hole on the top of camera.
- Log in the App and "Add New Device", then you can follow the directions step-by-step.

**Q: What WiFi band does the AI Camera support?**

A: 2.4Ghz WiFi only.

**Q: How many accounts can be linked with one Smart Bird Feeder?**

A: The Smart Bird Feeder can only be linked to one account at a time. If it is linked by other accounts, please Long press the reset button for 10s to release.

**Q: Can I share the Smart Bird Feeder with other users?**

A: Yes. You are able to share the Smart Bird Feeder with other users however they will need to install the "Bird Lover" app. When the App is ready, any of the following methods is optional to share the device:

- When they have individual account:
  - 1.Sharing the device by adding the their account names.
  - 2.Adding new accounts to your family group.
- When they have no individual account:

Using your main account and password to log in the same way as you do.

**Q: What's the language of the App?**

A: The App's language will match your device's system language. However, the language of the AI recognition result currently only supports English or Chinese.

**Q: Why does the camera battery drain so fast?**

A: The Bird Feeder has a low power consumption camera with a built-in solar panel charger which would satisfied the power requirements on a sunny day. However, if your camera drains too quick, check the following:

- Operating the app frequently will accelerate the battery power consumption;
- High frequency birds moving result in that the Camera is always on a high power consumption mode;
- Is the WiFi performance poor? If the camera searches for the WiFi signal due to poor or no signal strength, the camera's continuous WiFi search will accelerate the battery drain.

### **Q: Why the “Playback” is not available?**

A: Check the following:

- Please confirm that the TF card is installed correctly or the payment action of cloud storage has been completed. If the TF card cannot be read, please format it to FAT32 with computer. Our product support 4G-128G TF card.
- Please make sure you have enabled recording in the “Recording Settings” And turn on the detection mode.

### **Q: How to turn on or turn off the message notify?**

A: Do the following:

- Enter the main page and find “Me” on the left bottom, click icon “🔔” and set the App notification to turn on or off “Enable Notifications”. You can also set up a schedule for “Do-Not Disturb Schedule” at the same interface.
- Turn the “Motion Detection” on or off on the UI interface.
- Turn the “Detection Alarm Settings” on or off on the Setting interface.

### **Q: Why is the recognition result incorrect?**

A: The accuracy rate depends on the angle and clarity of the bird image. To get more accurate results, please ensure that the picture is clear enough. The identification features (bird's head, tail wings and pattern of feathers) should not be obscured. The bird image should be shown in the main position of the picture.

- If you got incorrect results, try to obtain a clearer photo of the bird.
- If there are two or more bird species in one picture, the recognised result will focus on the main position.



Demonstration of the optimal angle for AI bird recognition.





**BNETA** pet

# Smart AI Bird Feeder

BF002



---

**BNETA International**

sales@bnet.co.za | www.bnet.co.za